



Model 6650RC

100% Duty Cycle Air Compressor

Revision: A

User Manual

Save this manual for future reference.

Kit Contents:

Air Compressor

Qty: 1 Model 6650RC Air Compressor

Components

Qty: 4 Mounting Hardware

(Nuts, Bolts, Washers, & Lock-Washers)

Qty: 1 Remote Mount Air Filter Housing w/ Filter Element

Qty: 1 Remote Mount Air Filter Fittings

Qty: 1 Replacement Air Filter Element (Package of 2)

Qty: 1 Leader Hose Bracket Clamp

Qty: 1 Pre-cut Air Tubing for Remote Mounting Air Filter

Compressor Specifications

Type:	Waterproof / Oil-Less
Voltage:	12 Volts DC
Duty Cycle:	100% @ 200 PSI
Max. Working Pressure:	200 PSI
Max. Amp Draw:	23 Amps
Net Weight:	10.6 lbs.
Flow Rate @ 0 PSI:	2.24 CFM
Dimensions :	10.6" L x 4" W x 6.4 » H

Tank Fill Data (2.5Gal.)

0 to 200 PSI:	4 min 48 sec
150 to 200 PSI:	1 min 35 sec

Compressor Installation

Mounting

- This compressor can be mounted in any position, but it is not recommended to mount the compressor upside down; this may cause overheating & loss of efficiency.
- This compressor is waterproof & moisture / dust resistant. It may be mounted underneath your vehicle.
- Use of the Remote Air Intake Kit is recommended to relocate the air filter to a clean & dry environment.

Safety

- Ensure your compressor is properly fused. The compressor label & the above specifications note the Current (ampere) requirements.
- Your air compressor is equipped with a thermal overload protection circuit. This circuit protects the compressor from overheating & causing permanent damage. The thermal protection circuit will reset after approx. 30 minutes of inactivity.
- **CAUTION:** NEVER touch the air compressor or fittings with bare hands during, or immediately after use. Leader hose & fittings will become very hot during & after use.

Performance

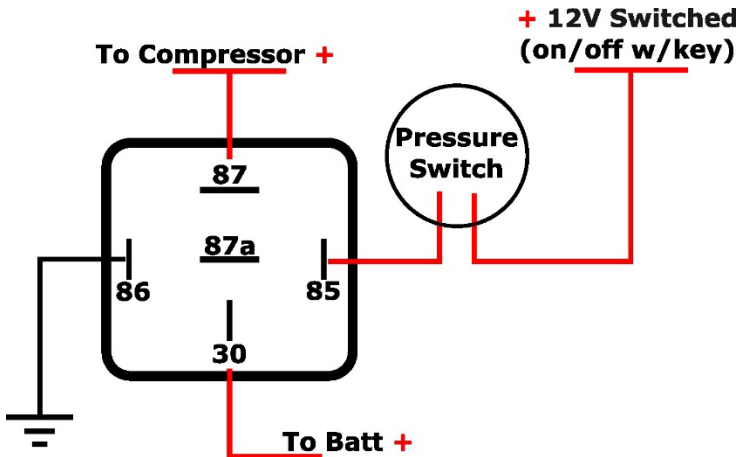
To maximize compressor performance, install it as close to the battery as possible & use large gauge wire (12 Ga minimum) to avoid voltage loss or increase current draw.

Recommended Connections:

Pressure Switch & Relay

Your system requires the use of a pressure switch to control the compressor operation at preset pressures.

The use of a Relay (40A) is recommended to prolong the life of the pressure switch.



1. Never install a pressure switch directly across from the compressor air inlet port. Tank pressure can be misread from the pressure switch & may cause undesired on/off operation.
2. Never use a pressure switch rated beyond your compressors maximum working pressure.
3. Always use a relay to control the on/off of the compressor.
4. Kleinn pressure switch leads are not polarized.

Maintenance & Repairs

1. Periodically check all electrical & fitting connections
2. Periodically check all mounting hardware
3. Replace air filter element periodically, dependent on operation time & environmental conditions.
4. Regularly clean dust & dirt buildup from compressor exterior to reduce head buildup during operation.
5. Never lubricate the compressor using any oil or lubricant
6. Repairs should not be performed by the end user.

Compressor Installation Tips:

1. Using the remote mount air filter will reduce operation noise by up to 25%
2. Always mount the compressor at a point higher than the inlet port of the tank to keep moisture from seeping back into the compressor
3. When mounting the compressor, use a paint pen on the rubber isolators; then, simply stamp the compressor against the chassis to make an imprint of the location for the mounting holes.

Testing Your System:

1. Run the air compressor to build up pressure in the air tank. The compressor will shut off once the pressure switch cut-off pressure is reached.
2. Inspect all air tubing connections for leaks by spraying a soap & water solution directly onto the fittings/connections.
3. If bubbles form, or leaks are detected, drain the air from the system, re-seal & re-connect the fittings.

KLEINN MANUFACTURER LIMITED DEFECT WARRANTY:

Kleinn Automotive Accessories warrants this product to the end-user, when properly installed and under normal conditions of use, to be free from defects in workmanship and materials for a period of one year from the provided date of purchase to the original purchaser of the product. This warranty does not cover abuse, operation in a manner inconsistent with the product's design, or damage resulting from exposure to the elements. If the defect is considered "under warranty", Kleinn will, at its option, repair or replace the product free of charge to the original purchaser. Kleinn is not liable for any installation charges, loss or damage of any kind incurred in the replacement or repair of any warranted product.

PO Box 91278 Tucson, AZ 85752

Phone: (520) 579-1531

Web: www.Kleinn.com