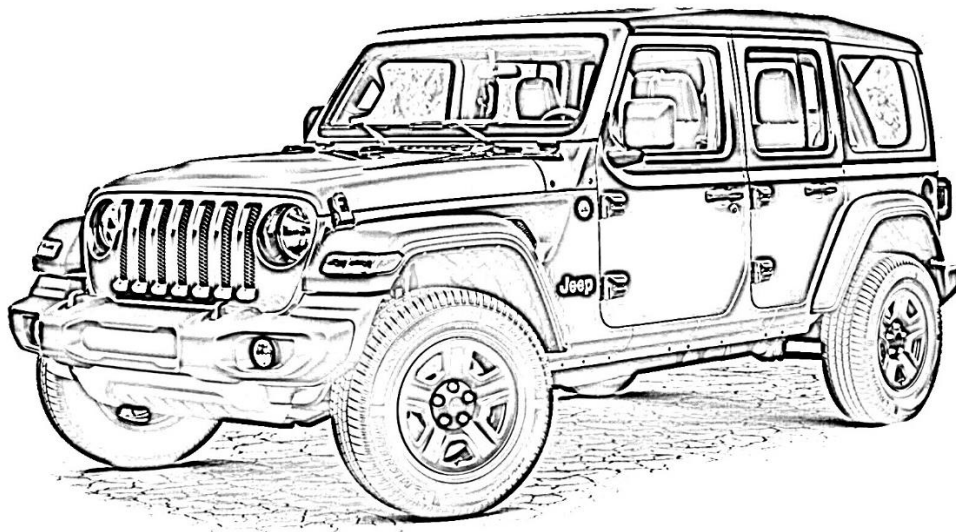




JL/JK/JT-HB INSTALLATION MANUAL

REV: A (11/4/2020)



© Kleinn Air Horns 2020, All rights reserved.

PO Box 91278 Tucson, AZ 85752

Phone: (520) 579-1531

Web: www.Kleinn.com

This digital PDF is interactive.

Please save ink and paper...



Open interactive manual using Adobe Reader[®]

on [PC, MAC, and all smart devices](#)



Table of Contents

| | | |
|------|---|----|
| 1. | LIST OF FIGURES | 4 |
| 2. | How to Use this Manual | 5 |
| 2.1. | Interactive Manual using Adobe Reader | 5 |
| 2.2. | Your Kit SKU Number and this Manual..... | 5 |
| 2.3. | Illustration/Photo Details | 5 |
| 3. | Safety First..... | 6 |
| 4. | Application Chart..... | 7 |
| 4.1. | 100% Direct Bolt-On Vehicle List | 7 |
| 4.2. | **Excluded Vehicles | 7 |
| 4.3. | Aftermarket Product Compatibility | 7 |
| 5. | Installation Overview..... | 8 |
| 5.1. | Kit Layout and System Location..... | 8 |
| 5.2. | Approximate Installation Time | 9 |
| 5.3. | ***Quick Install Outline..... | 9 |
| 6. | List of Tools and Supplies | 10 |
| 6.1. | Standard Tool List (Required)..... | 10 |
| 6.2. | Special Tool List (Recommended) | 10 |
| 6.3. | Shop Consumables List (Recommended) | 10 |
| 7. | Parts List | 11 |
| 7.1. | Parts List covers following SKU Numbers | 11 |
| 7.2. | Bolt-On Mounting Brackets & System Components | 11 |
| 7.3. | Hardware/Fasteners..... | 12 |
| 8. | Assembly Steps..... | 13 |
| 8.1. | Locate HydroBlast Installation Location | 13 |
| 8.2. | Attach HydroBlast Unit to Mounting Bracket..... | 14 |
| 8.3. | Install HydroBlast-Bracket Assembly..... | 16 |
| 9. | Electrical Installation | 17 |
| 10. | Washer Fluid Hose Connections..... | 17 |



1. LIST OF FIGURES

| | |
|---|----|
| Figure 1: HydroBlast Installation Location (2018 JLU Shown) | 8 |
| Figure 2: Installation Components | 12 |
| Figure 3: Power Steering Fluid Reservoir Location (2015 JK Shown) | 13 |
| Figure 4: Fender Bolt (2015 JK Shown)..... | 13 |
| Figure 5: Fender Bolt (2020 JL/JT Shown) | 13 |
| Figure 6: HydroBlast Up-Left Configuration | 14 |
| Figure 7: HydroBlast Up-Right Configuration | 14 |
| Figure 8: HydroBlast Down-Left Configuration | 14 |
| Figure 9: HydroBlast Down-Right Configuration | 14 |
| Figure 10: Secure HydroBlast Unit to Bracket (Up-Left Configuration Shown)..... | 15 |
| Figure 11: HydroBlast Installed (2015 JK Shown) | 16 |
| Figure 12: HydroBlast Install (2020 JL/JT Shown)..... | 16 |



2. How to Use this Manual

2.1. Interactive Manual using Adobe Reader

It is recommended to open this digital PDF using Adobe Reader[®] to take advantage of following key features:

- **Hyperlinks** ([blue underlined text](#)) allow access to additional content via internet; click/tap to activate
 - Includes [Installation Figures](#) and "[Figure xx](#)"
- **Table of Contents** page allows easily navigating this manual; click/tap any section line to go to it
- **Bookmarks** allow quickly navigating to any section; click/tap
- **Zoom IN** on pictures by pressing "CTRL and +" at same time on PC, or pinch in on smart devices
- **Zoom OUT** on pictures by pressing "CTRL and -" at same time on PC, or pinch out on smart devices

To install Adobe Reader[®]

On PC, or Mac

- visit <https://get.adobe.com/reader/otherversions/>

On Android, iPhone/iPad, and Windows devices,

- visit <https://acrobat.adobe.com/us/en/acrobat/mobile-app.html>
-

2.2. Your Kit SKU Number and this Manual

This manual covers the installation of following SKU part numbers

2.2.1. JL/JK/JT-HB (i.e., Windshield Washer Fluid Heater)

2.3. Illustration/Photo Details

This manual may use digitally created illustrations, and/or actual photos of example vehicle. These graphics may not include exact items found on your vehicle (i.e., electrical wiring, fuel lines, body panels, etc.). Illustrations may be missing details and are for clarity to show critical mounting locations and orientation on vehicle.

End of Section



3. Safety First

Read manual thoroughly before starting installation of this kit. Verify you have all parts listed and that you clearly understand this installation procedure. Contact Kleinn technical support for any questions.

Installation of this kit requires **minimal mechanical aptitude**; seek professional help if you're not competent using hand tools in tight uncomfortable spaces, and around possibly rusted and sharp vehicle parts.

Before starting, obtain proper tools required to perform installation correctly, adequate lighting and hand protection to guard against sharp edges and metal burrs, which may be present on kit parts and vehicle parts.

Throughout this manual the following words may be used; be aware of their meaning and application.

CAUTION: means damage could occur to vehicle, or kit parts during, or after installation

WARNING: means injury could occur to you or others, including damage to vehicle, or kit parts

DANGER: means serious injury or death could occur to you or others during installation

End of Section



4. Application Chart

4.1. 100% Direct Bolt-On Vehicle List

JL/JK/JT-HB is a 100% direct bolt-on aftermarket product for Jeep vehicles listed in below chart; every effort has been made to verify correct fitment on these vehicles in their factory, non-modified conditions.

| MODEL YEAR | MODEL | DRIVE | ENGINE | BODY | TRIM |
|------------|-------|-------|--------|--------|------|
| 2018-2019 | JL(U) | ALL | 3.6L | 4 DOOR | ALL |
| 2007-2018 | JK(U) | ALL | 3.6L | 4 DOOR | ALL |
| 2019-2020 | JT | ALL | 3.6L | 4 DOOR | ALL |

4.2. **Excluded Vehicles

At this time, there are no known incompatibilities with the JL/JK/JT-HB kit. Fitment has not been verified on any diesel or hybrid models.

4.3. Aftermarket Product Compatibility

- 4.3.1. This kit has been designed and tested to be compatible with the OEM engine bay layout.
- 4.3.2. This kit has NOT been designed or tested for use with modified engine bay layouts due to aftermarket components that reside in the engine bay.

End of Section

5. Installation Overview

5.1. Kit Layout and System Location

JL/JK/JT-HB consists of following sub-systems, located on vehicle, as follows:

| ITEM | DESCRIPTION | MOUNTING LOCATION | APPROX. INSTALL TIME |
|------|--|---|----------------------|
| 1 | CrimeStopper HydroBlast Windshield Washer Fluid Heater | Inside engine bay. Near power steering fluid reservoir. | 1 Hours |

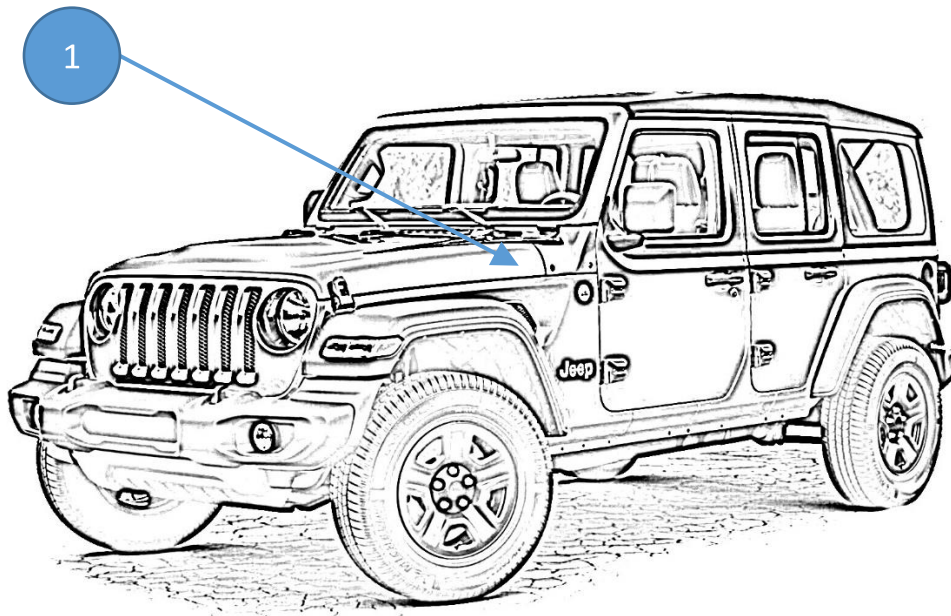


Figure 1: HydroBlast Installation Location (2018 JLU Shown)



5.2. Approximate Installation Time

JL/JK/JT-HB is a single-component kit but does require electrical wiring and fluid hose routing knowledge.

For a typical home mechanic, auto enthusiast, or technician installing a Kleinn Bolt-On kit for first time, a professional installation job with setup and testing of final product, is estimated to take:

- **1 Hour**
-

5.3. ***Quick Install Outline

For person(s) with experience installing Kleinn bolt-on kits, JL/JK/JT-HB can be installed in an order similar to below:

1. Open hood, locate fender-bolt near power steering fluid reservoir. (See [Figures 2-4](#))
2. Place bracket to determine HydroBlast mounting configuration. (See [Figures 5-8](#) for configurations)
3. Attach HydroBlast to bracket. (See [Figure 9](#))
4. Using fender-bolt, secure the bracket/HydroBlast assembly in-place. (See [Figures 10-11](#)) (For JL/JT, also see [Figure 4](#))
5. Follow HydroBlast installation manual for electrical wiring and washer-fluid hose routing.

End of Section



6. List of Tools and Supplies

6.1. Standard Tool List (Required)

6.1.1. Basic mechanic's 3/8" drive socket set or metric wrench set (8mm and 10mm required)

6.1.2. Basic mechanic's screwdriver (Philips)

6.1.3. Side Cutter

6.2. Special Tool List (Recommended)

6.2.1. Multi-Meter for 12V DC electrical systems, or equivalent

6.3. Shop Consumables List (Recommended)

6.3.1. Extra plastic zip ties ≈ 6" long

End of Section



JL/JK/JT-HB Installation Manual

7. Parts List

7.1. Parts List covers following SKU Numbers

7.1.1. JL/JK/JT-HB



Unpackage and organize to verify all parts are included, as listed below. Contact Kleinn support if any questions arise.

7.1.2. Review pre-packaged items (i.e., HydroBlast unit)

7.1.3. Review brackets

7.1.4. Review Hardware/Fasteners

7.2. Bolt-On Mounting Brackets & System Components

| ITEM | QTY | PART NUMBER | DESCRIPTION | PICTURE |
|------|-----|-------------|--|---|
| 1 | 1 | HydroBlast | CrimeStopper HydroBlast Windshield Washer Fluid Heater |  |
| 2 | 1 | JEEP-HB | KLEINN AUTOMOTIVE CUSTOM-FIT BRACKET |  |

7.3. Hardware/Fasteners

| ITEM NO. | PART TYPE | PART SIZE | QTY. | WHERE USED |
|----------|----------------------------|-------------------|------|-----------------------------|
| 3 | MACHINE SCREW, ZINC PLATED | #6-32 X 3/4" LONG | 4 | JEEP-HB/HydroBlast Assembly |
| 4 | FLAT WASHER, ZINC-PLATED | FOR #6 SCREW | 8 | JEEP-HB/HydroBlast Assembly |
| 5 | LOCK WASHER, ZINC PLATED | FOR #6 SCREW | 4 | JEEP-HB/HydroBlast Assembly |
| 6 | HEX NUT, ZINC-PLATED | #6-32 | 4 | JEEP-HB/HydroBlast Assembly |



Figure 2: Installation Components

End of Section

8. Assembly Steps

NOTE: ALL HARDWARE WILL BE SPECIFIED IN INSTRUCTIONS USING ITEM NO.'S FOUND IN PARTS LIST. Assemble ALL fasteners clean and dry using proper socket or wrench and screwdriver. (Not including hose fittings)

8.1. Locate HydroBlast Installation Location

Open the vehicle's hood and locate the power steering fluid reservoir. The fender bolt next to the reservoir will be used to secure the HydroBlast mounting bracket ([item 2](#)).



Figure 3: Power Steering Fluid Reservoir Location (2015 JK Shown)



Figure 4: Fender Bolt (2015 JK Shown)



Figure 5: Fender Bolt (2020 JL/JT Shown)

For JL/JT models the fender bolt (yellow arrow) will move to other fender bolt hole (orange arrow).

8.2. Attach HydroBlast Unit to Mounting Bracket

There are four possible configurations when attaching the HydroBlast unit ([item 1](#)) to the mounting bracket ([item 2](#)). These configurations are shown in the illustrations below:

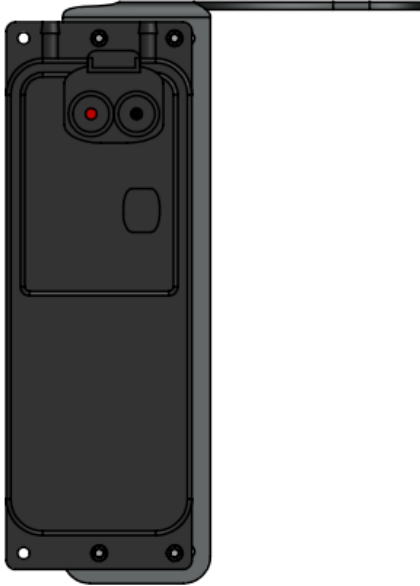


Figure 6: HydroBlast Up-Left Configuration

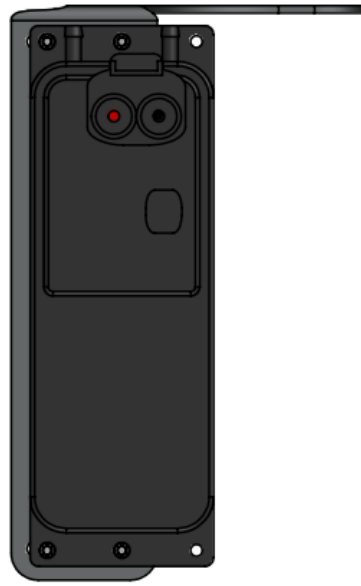


Figure 7: HydroBlast Up-Right Configuration

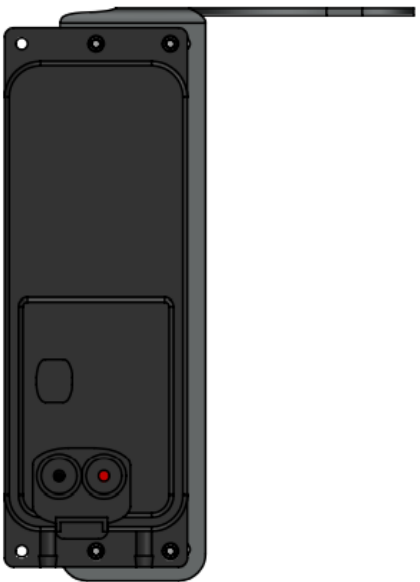


Figure 8: HydroBlast Down-Left Configuration

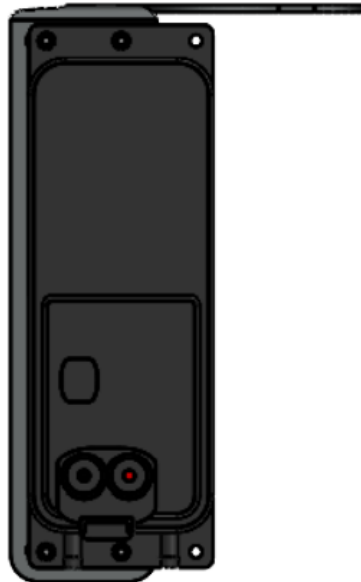


Figure 9: HydroBlast Down-Right Configuration

- 8.2.1. Remove the fender bolt shown in step 8.1
- 8.2.2. Connect the HydroBlast power plug to the HydroBlast unit.
- 8.2.3. Using hardware [items 3, 4, 5, & 6](#), attach the HydroBlast unit to the bracket and test fit to determine which configuration is required for your installation (slots allow for extra adjustment as necessary).

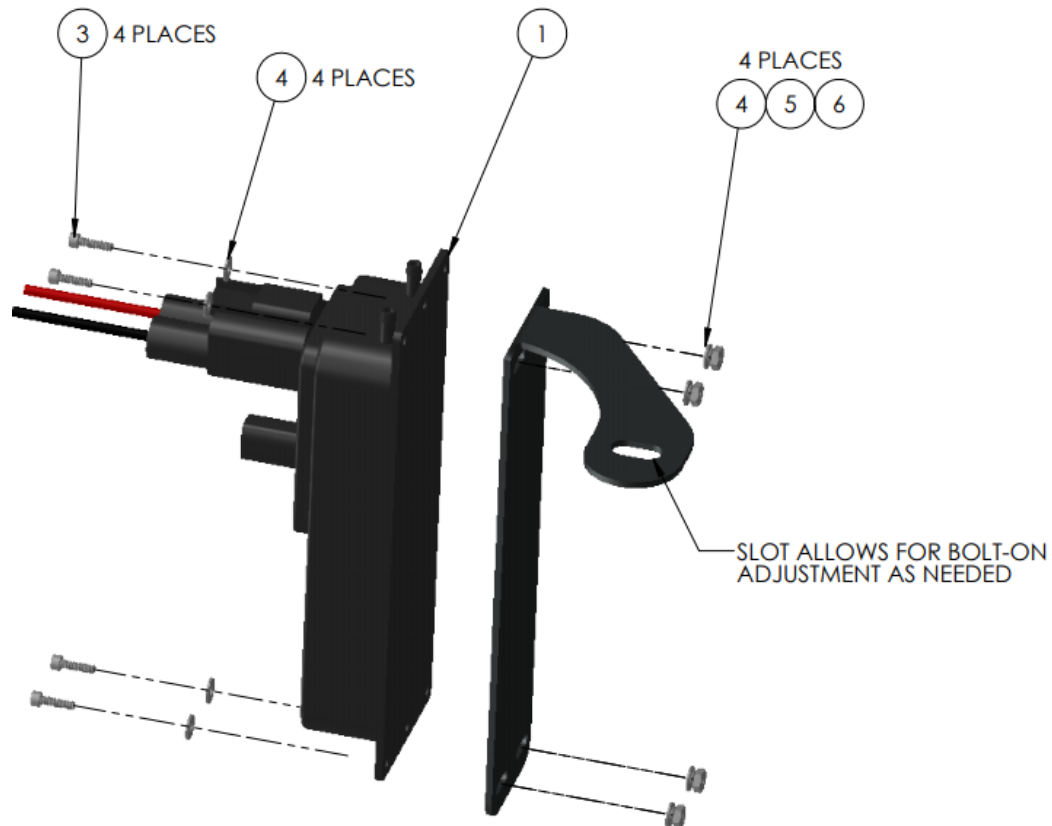


Figure 10: Secure HydroBlast Unit to Bracket (Up-Left Configuration Shown)

- 8.2.4. Disconnect the power plug from the HydroBlast unit once the required configuration has been determined.

8.3. Install HydroBlast-Bracket Assembly

Note: If your installation requires using the Down-Left or Down-Right configuration, consider attaching washer fluid hoses before installing the assembly on the vehicle.

- 8.3.1. Using the fender bolt (10mm wrench) near the steering fluid reservoir, secure the HydroBlast-Bracket assembly to the vehicle.



Figure 11: HydroBlast Installed (2015 JK Shown)



Figure 12: HydroBlast Install (2020 JL/JT Shown)

End of Section



JL-JK-OBA

Installation and Operation Manual

9. Electrical Installation

CAUTION: Follow all recommended safety precautions for working on vehicle's electrical system; consult vehicle owner's manual for further instruction.

CAUTION: Do not make battery connections with harness plugged into HydroBlast Unit.

Follow the included CrimeStopper HydroBlast installation manual for electrical connections.

End of Section

10. Washer Fluid Hose Connections

Follow the included CrimeStopper HydroBlast installation manual for washer fluid hose connections.

End of Section

KLEINN MANUFACTURER LIMITED DEFECT WARRANTY:

Kleinn Automotive Air Horns warrants this product to the end-user, when properly installed and under normal conditions of use, to be free from defects in workmanship and materials for a period of one year from the provided date of purchase, to the original purchaser of the product. This warranty does not cover abuse, operation in a manner inconsistent with the product's design, or damage resulting from exposure to the elements. If the defect is considered "under warranty", Kleinn will, at its option, repair or replace the product free of charge to the original purchaser. Kleinn is not liable for any installation charges, loss or damage of any kind incurred in the replacement or repair of any warranted product.

© Kleinn Air Horns 2020, All rights reserved.

PO Box 91278 Tucson, AZ 85752

Phone: (520) 579-1531

Web: www.Kleinn.com